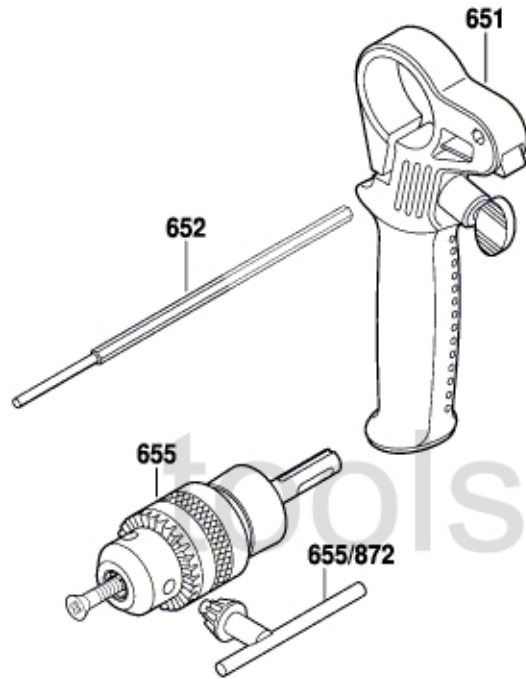


3 603 CA9 301

Issue } 4-02-17  
Stand }

**Fig./Abb. 2**



toolspareparts.com.au